

Amalfi 55 VB-AML-55


 Premium

Rimless countertop basin

- Designed to complement Amalfi bath
- Made from QUARRYCAST®
 - One piece casting of rare volcanic limestone and resin
 - Harder and more durable than acrylic
- Easy clean high gloss finish
- Exterior can be painted
- 25 year guarantee

Classic up-turned ends



Basin:

- **No tap holes**
Suitable for freestanding or wall mounted taps
NB Due to the design of the rim, this basin cannot be drilled for tap holes.

Recommended Waste:

Universal basin waste with 'captive' plug and matching basin bottle trap - K20 / K22

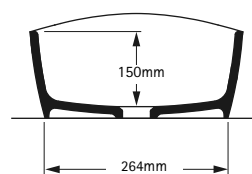
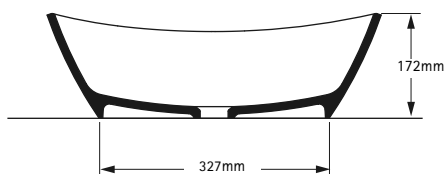
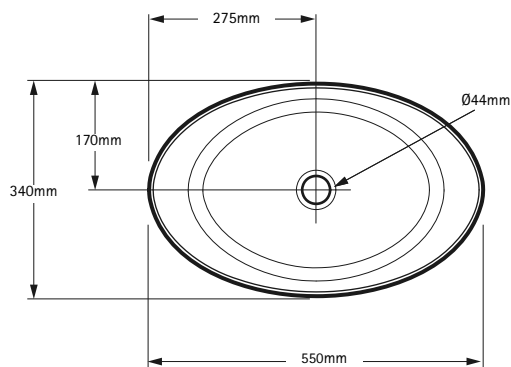
Note: For product specifications please see over



Amalfi 55

VB-AML-55

Rimless countertop basin



General specifications for Amalfi 55 basin

Installed size	550mm x 340mm x 172mm
Weight	6kg
Weight with water	12kg
Litres to rim	5.5 litres
Water depth to rim	150mm

Notes

Refer to installation instructions supplied with basin for additional information. Fittings (taps & drain assembly) not included and must be ordered separately.

Important

Dimension of fixtures are nominal and may vary within the range of tolerances established by ANSI standard A112.19.4M.

These measurements are subject to change or cancellation.

No responsibility is assumed for use of superseded or void leaflet.