

Como

 COM-N-SW

Compact double-ended bath

- Minimalist one piece design with a cutaway apron
- Made from QUARRYCAST[®]
 - One piece casting of rare volcanic limestone and resin
 - Harder and more durable than acrylic
- Easy clean high gloss finish
- Exterior can be painted
- 25 year guarantee

Floor cutaway maximises impression of space



Bath:

- **No tap holes**
Suitable for freestanding or wall mounted taps - or special order brassware requiring bespoke on-site drilling of holes
See separate Lido tap stand sheet for further options.

Recommended Waste:

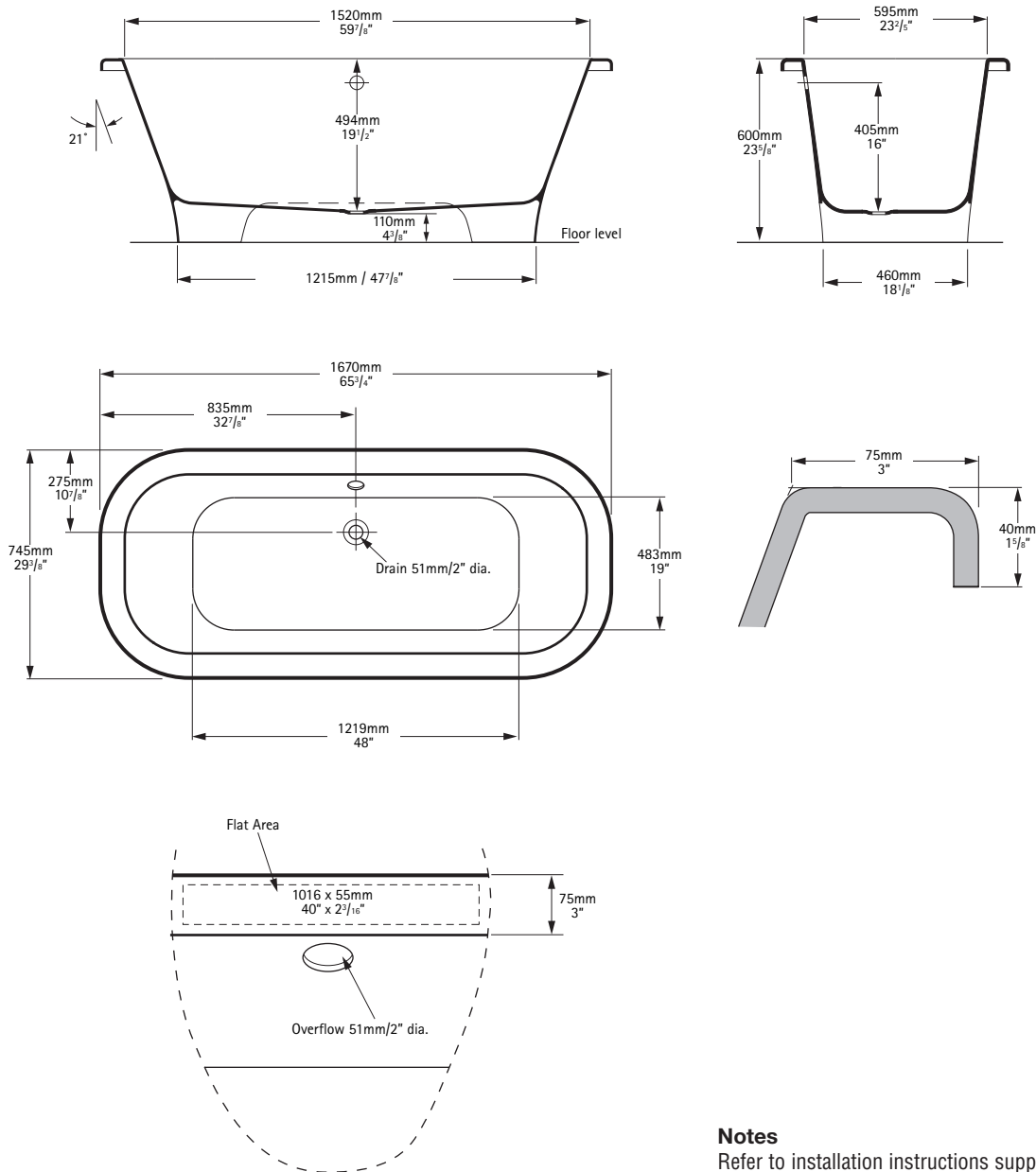
Universal overflow waste kit - KIT16C

Note: For product specifications please see over



Como COM-N-SW

Compact double-ended bath



General specifications for Como bath

Installed size	1670mm x 745mm x 600mm
Weight	60kg
Weight with water	324kg
Litres to overflow	264 litres
Bathing well at sump	1219mm x 483mm
Bathing well at rim	1520mm x 595mm
Water depth to overflow	405mm

Notes

Refer to installation instructions supplied with bath for additional information. Fittings (taps & drain assembly) not included and must be ordered separately. If installing deck mounted brassware refer to 'drilling tap holes' instructions before installation.

Important

Dimension of fixtures are nominal and may vary within the range of tolerances established by ANSI standard A112.19.4M.

These measurements are subject to change or cancellation.

No responsibility is assumed for use of superseded or void leaflet.